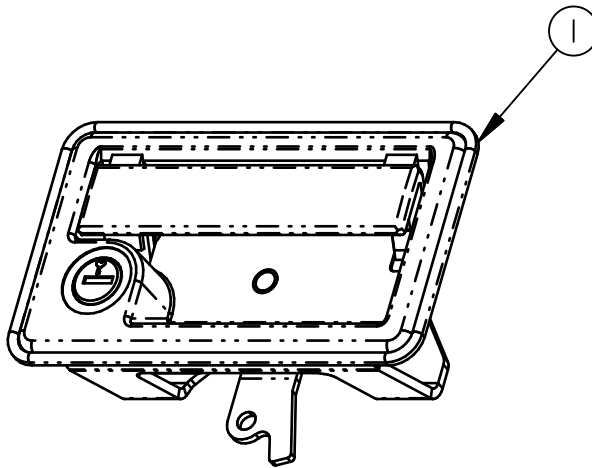


REV.	ECN	BY	CHKD	REVISION
0	RLSE	BJP 9/14/98	JJH 9/15/98	RELEASED

6	-	DR, COMPT, SM	1
5	-	RELEASE ROD	1
4	10335-16	ASSY, BLT/WSHR, .905SHLDR, 3/8-16	1
3	11920-16	ASSY, CAGE, NUT, 3/8 THD	1
2	11657-16	ASSY, SGLRTR, LH, 1/4-20, 2PT	1
1	12429-01	030-0450, CNNC, TM211, LH, 2PT, SHTSTUD, INTEAR	1

NOTES:

1. CLIPS TO SECURE ROD NOT SHOWN.



SCALE 0.500

PRODUCT SUPPORT DRAWING
Individual part dimensions are for reference only. Refer to individual part drawings for complete dimensions and specifications.

SHEET 1 OF 2

DRAWN BY	BJP	9/14/98
CHKD BY	JJH	9/15/98
RLSE DATE	RCH	9/15/98

TYPICAL APPLICATION

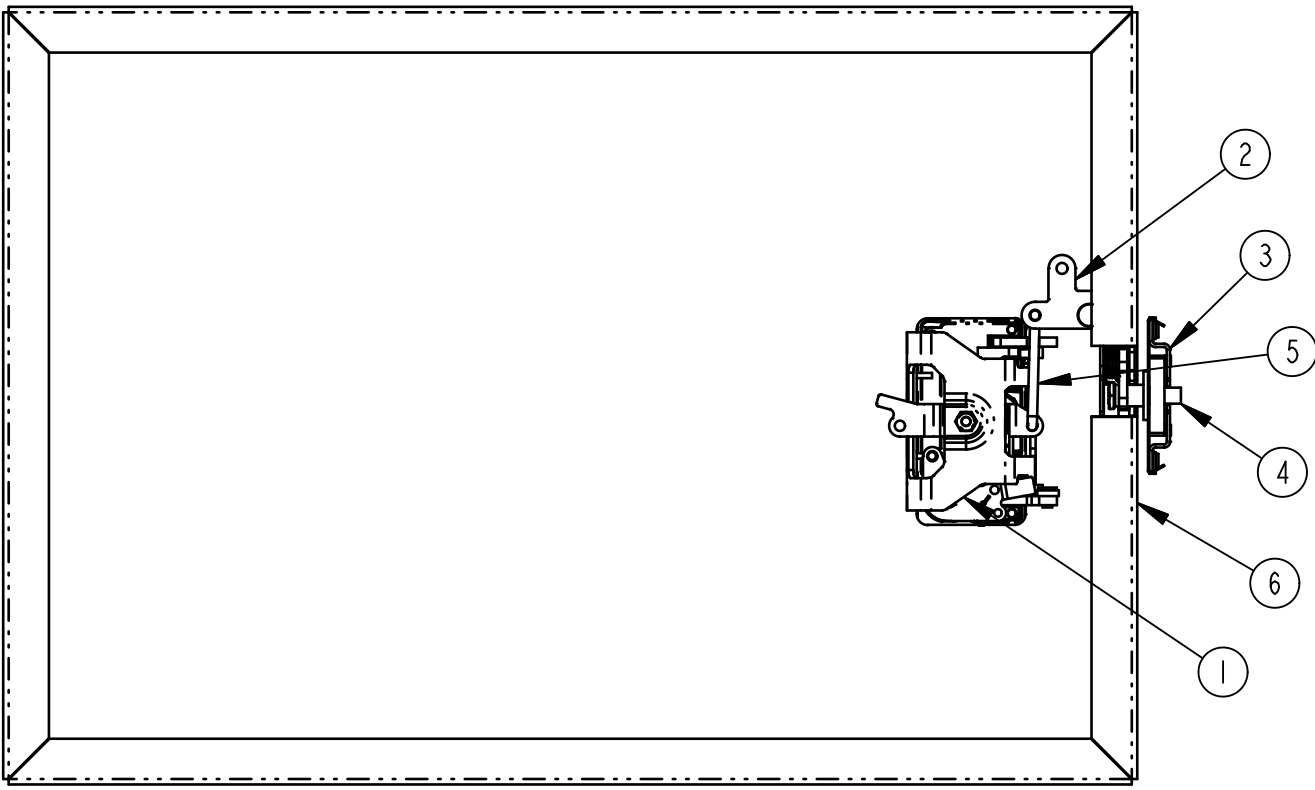
SMALL COMPARTMENT DOOR

SCALE	PART NAME
1:4	030-0450, 050-0200, DR, COMPT, SM

A

REV.	PART NO.
0	TY030-0450E

REV.	ECN	BY	CHKD	REVISION
------	-----	----	------	----------



INSIDE VIEW

PRODUCT SUPPORT DRAWING
 Individual part dimensions are for reference only. Refer to individual part drawings for complete dimensions and specifications.

SHEET 2 OF 2

DRAWN BY	BJP	9/14/98
CHKD BY	JJH	9/15/98
RLSE DATE	RCH	9/15/98

TYPICAL APPLICATION	
SMALL COMPARTMENT DOOR	
SCALE	PART NAME
1 : 4	030-0450, 050-0200, DR, COMPT, SM

A

REV.	PART NO.
0	TY030-0450E